



SLIDING



SOCIALIZING



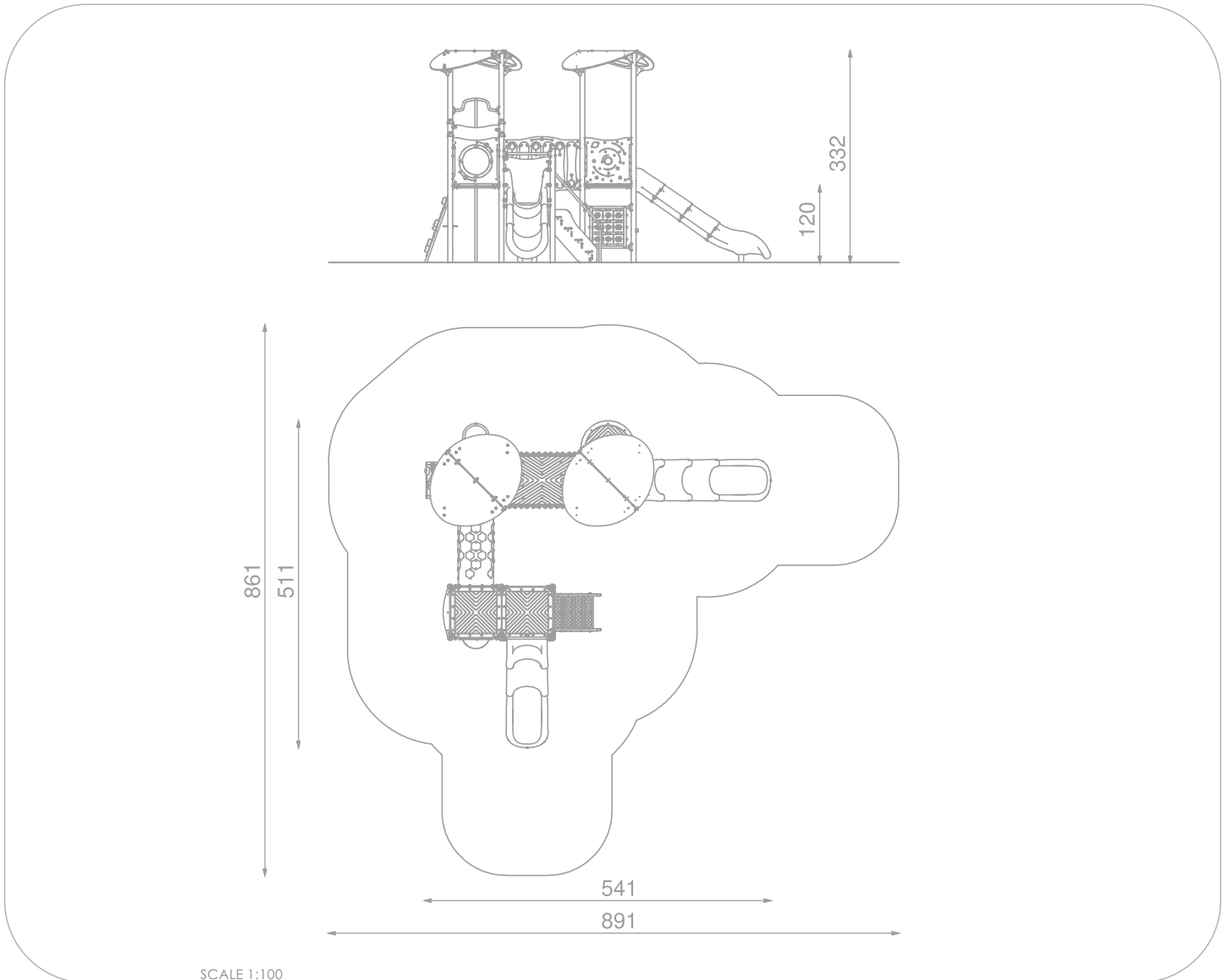
CLIMBING



INFORMATION ABOUT THE PRODUCT

Dimensions	511 x 541 cm
Safety zone	861 x 891 cm
Safety zone area	47,8 m ²
Overall height	332 cm
Free fall height	120 cm
Amount of users	22
Product complies with EN 1176-1:2017-12	YES
Availability of spare parts	YES
Age range	1-8
According to EN 1176-1:2017-12 norm, the product requires applying a safety surface according to the product's free fall height.	





MATERIALS:

CONSTRUCTION MADE OF STAINLESS STEEL AISI 304	PLATES OF THE WALLS MADE OF COLOURFUL TRIPLE LAYERED 15 MM HDPE POLYETHYLENE	HEMISPHERIC WINDOW WITH A DIAMETER OF 400 MM	TUBE MADE OF LDPE POLYETHYLENE ROTATIONALLY MOLDED WITH THE INNER DIAMETER OF 53.3 CM AND THE LENGTH OF 125 CM	
PLATES OF THE WALLS AND PLATFORMS MADE OF COLOURFUL 13 MM HPL	MODULAR POLYETHYLENE SLIDES MADE OF ROTOMOLDED LDPE TYPE MATERIAL	PLATE AND ROPE CONNECTORS MADE OF INJECTION MOLDED POLYAMIDE	CLIMBING ROCKS MADE OF CHIPPINGS AND COLOURFUL POLYESTER RESIN	THE TIC TAC TOE GAME IS MADE OF POLYETHYLENE ROTATIONALLY MOLDED WITH SYMBOLS ON THE FORM